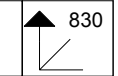




NOVA PLUS NOPL-064-0S



V PRÍPADE REKLAMÁCIE JE POTREBNÉ NAHLÁSIŤ
 VÝROBNÉ ČÍSLO VIDITEĽNÉ NA ETIKETE

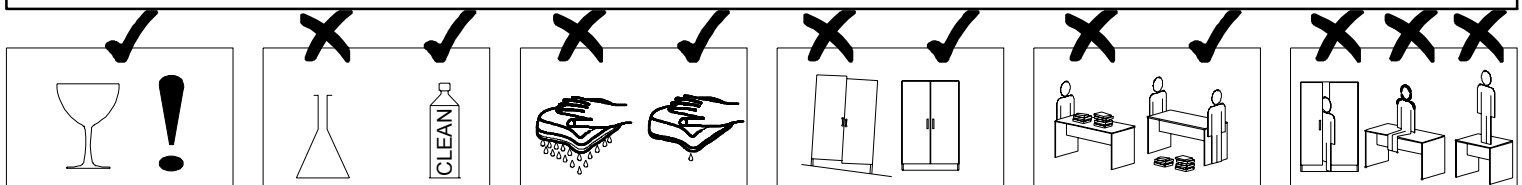
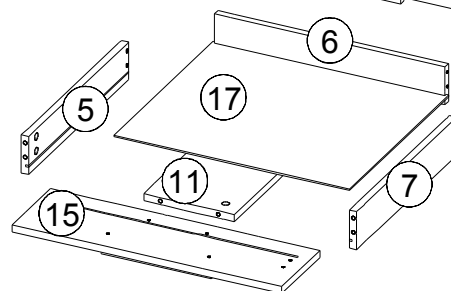
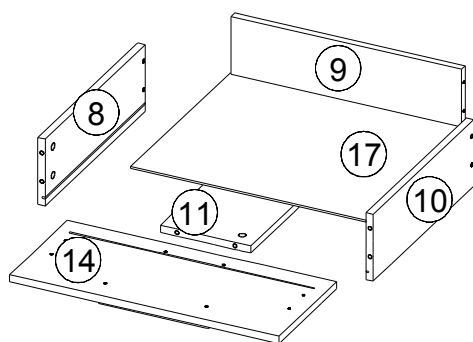
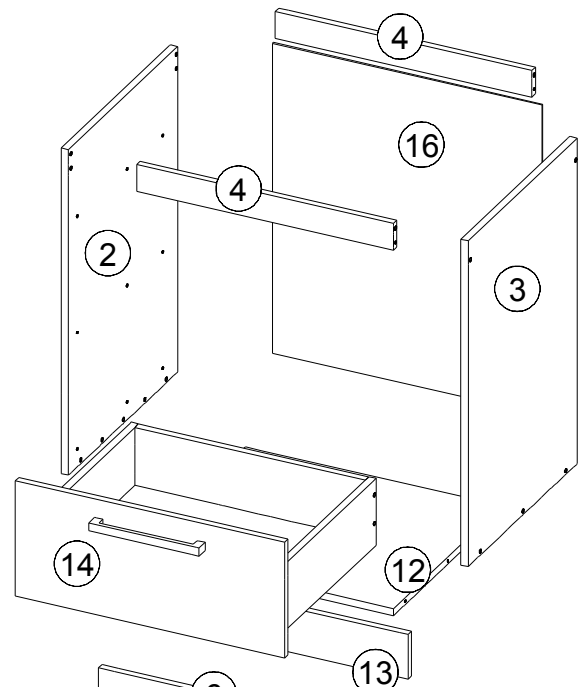


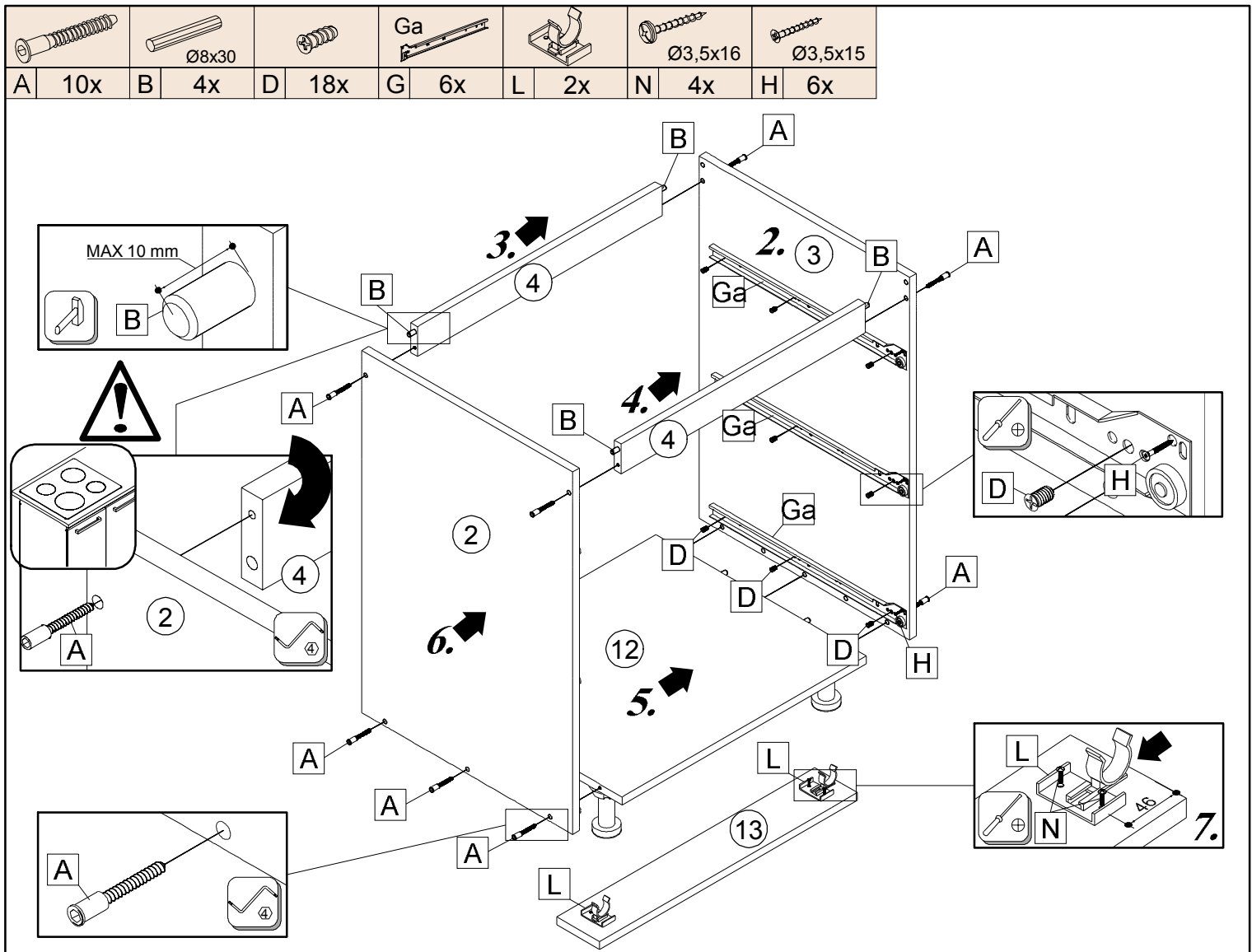
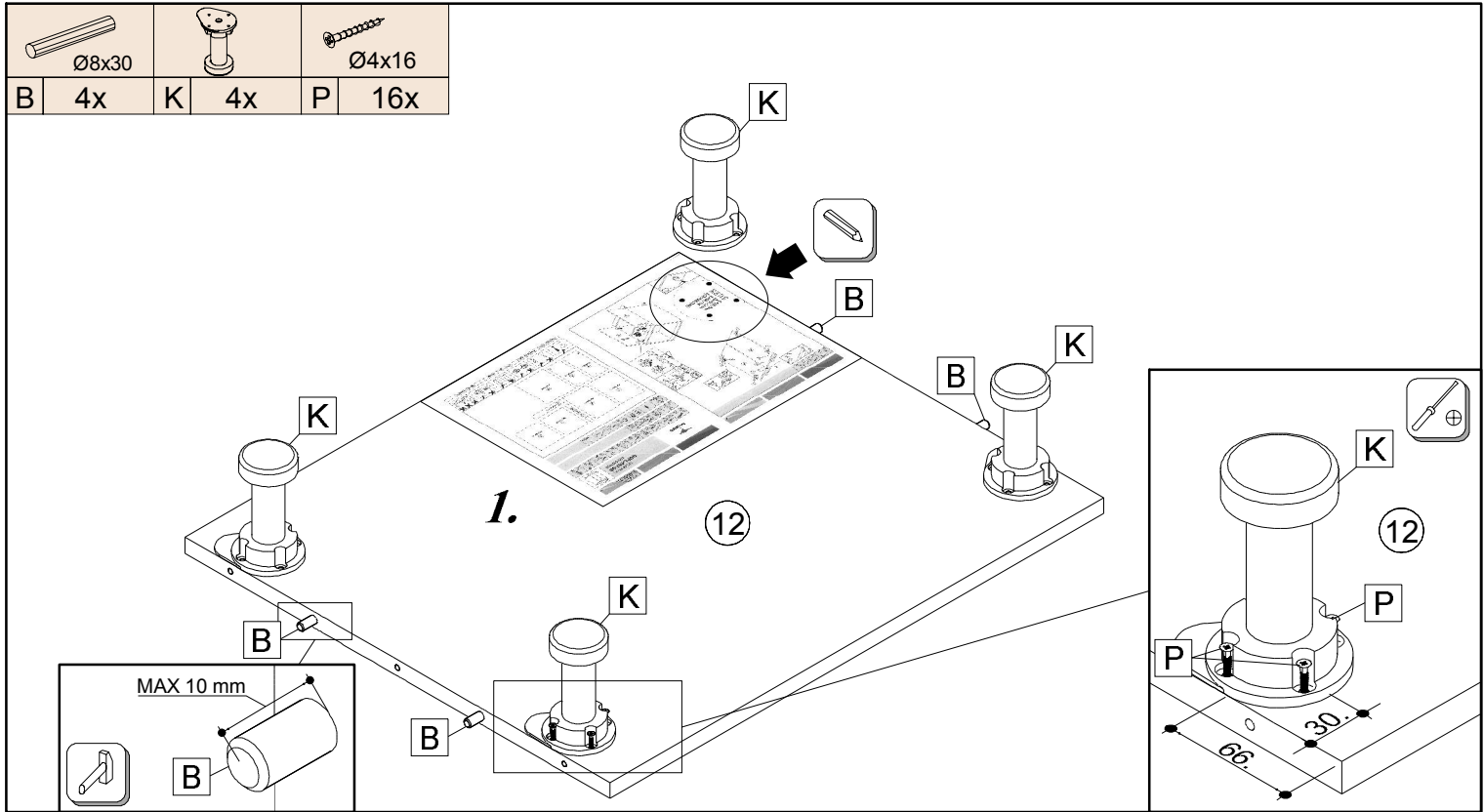
| | | | | | | | | | |
|-------|------|-------|-------|------|-------|----------------|-------|-------|-------|
| | | | | | | | | | |
| A 22x | B 8x | C 30x | D 18x | E 3x | F 10x | Ga 3x Gb 3x | H 24x | I 24x | J 24x |

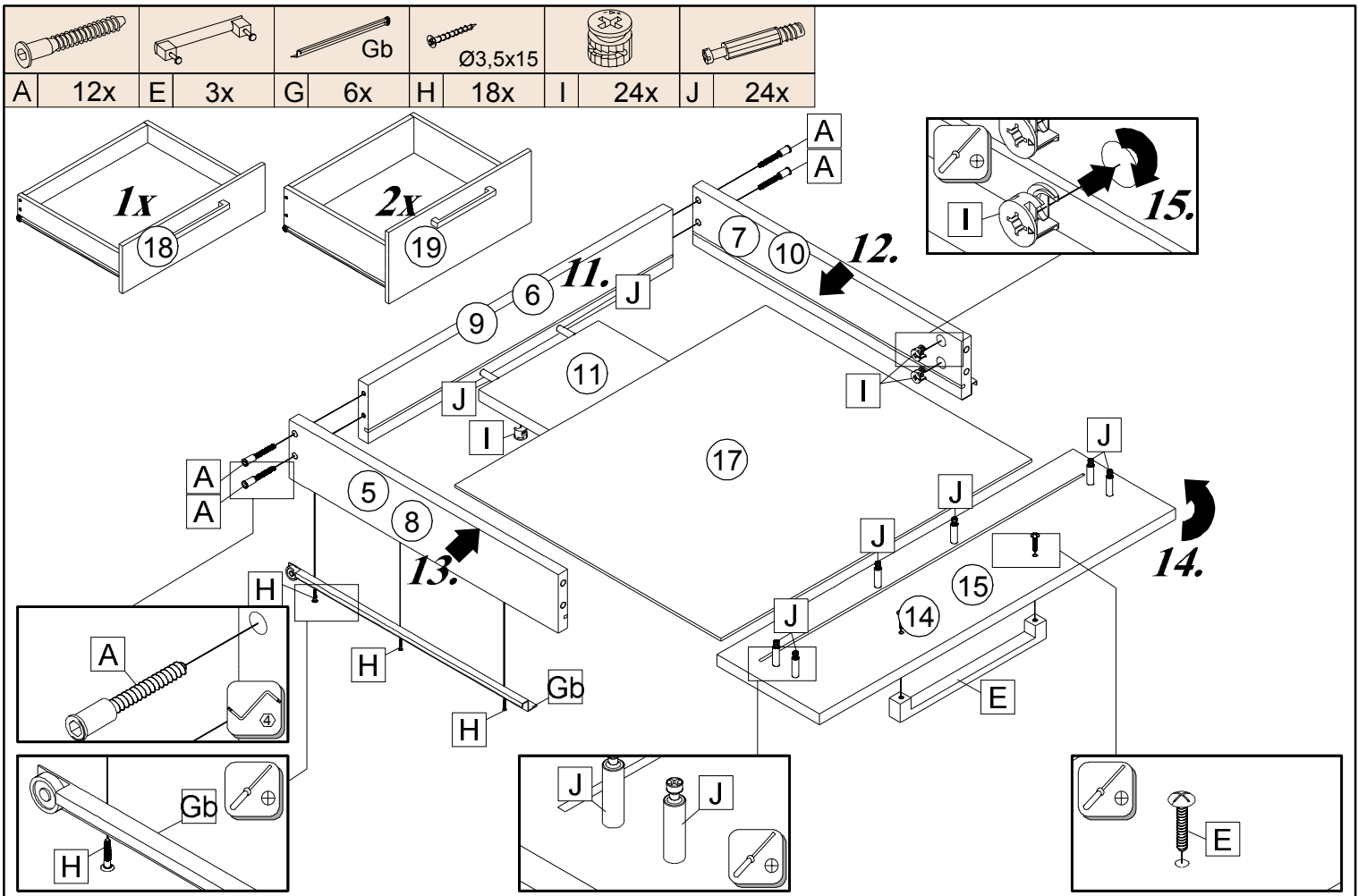
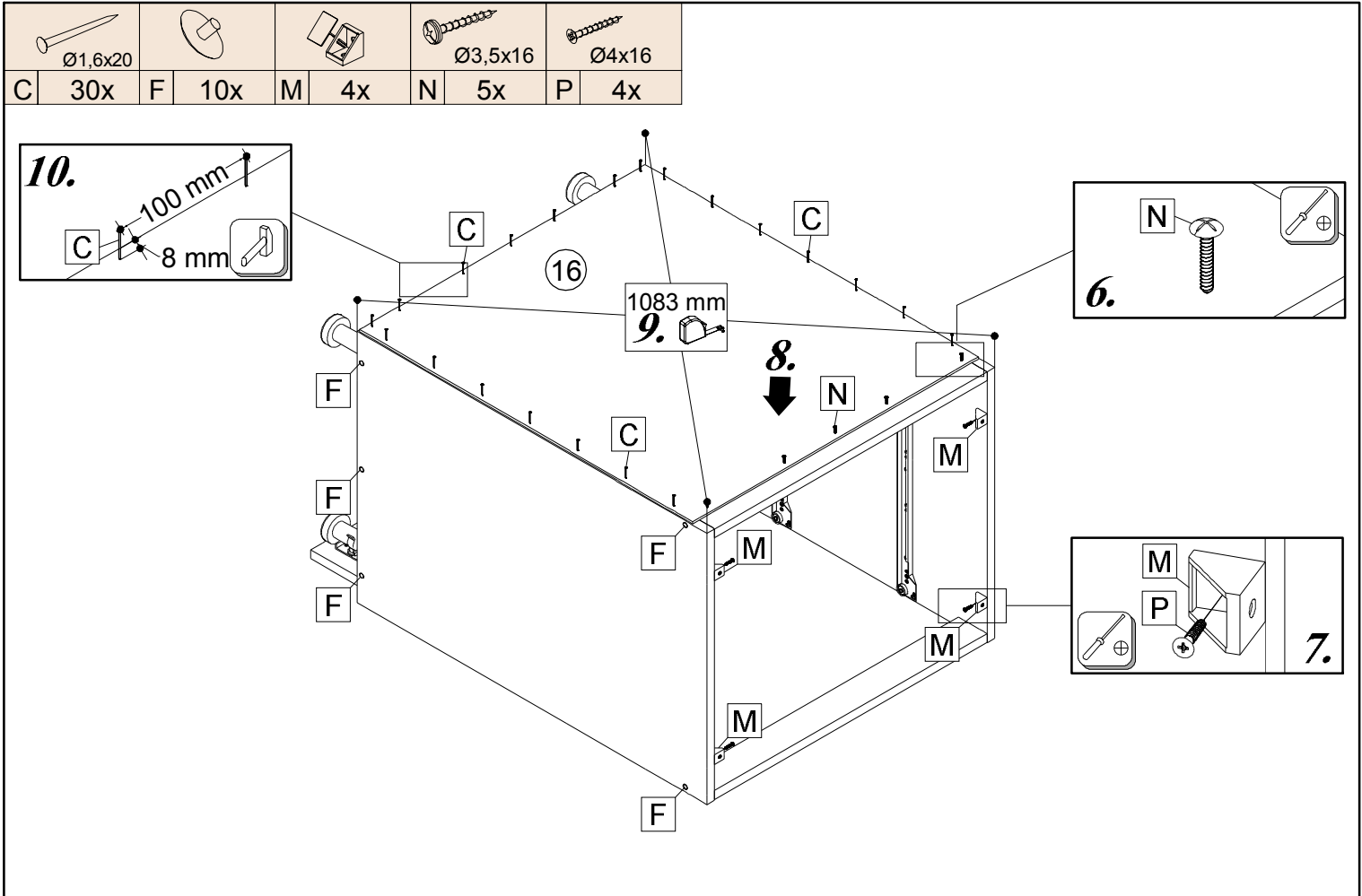
| | | | | |
|------|------|------|------|-------|
| | | | | |
| K 4x | L 2x | M 4x | N 9x | P 24x |

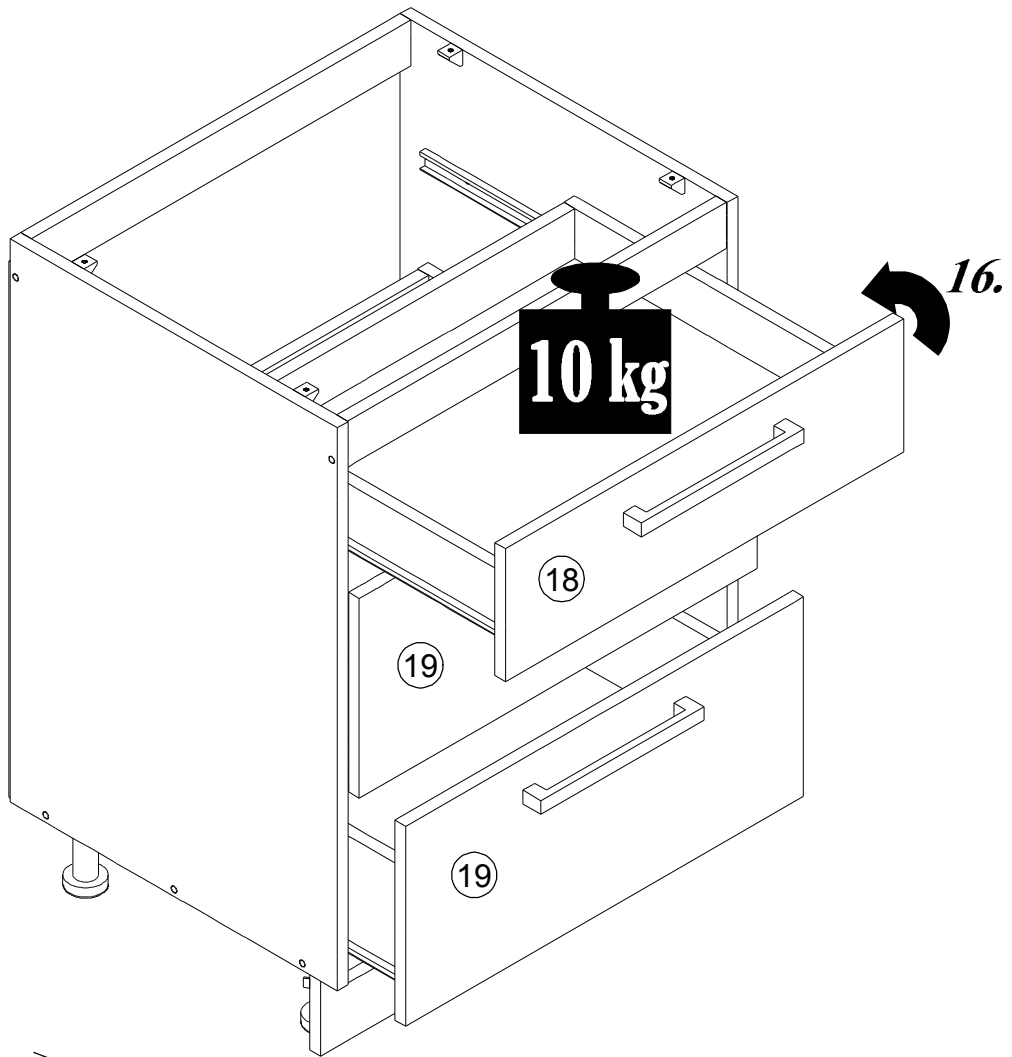
| | | | | | | |
|----------|--|--|----|---|--|----------|
| | | | | | | |
| 0h 55min | | | 3m | 4 | | ≤ 0,5 kg |

| ID | QTY | Dimensions | QTY | Ratio |
|-------|-----|-------------|-----|-------|
| 00371 | 2 | 730*490*16 | 1x | 1/1 |
| 00372 | 3 | 730*490*16 | 1x | 1/1 |
| 00386 | 4 | 768*60*16 | 2x | 1/1 |
| 00362 | 5 | 450*85*16 | 1x | 1/1 |
| 03178 | 6 | 710*85*16 | 1x | 1/1 |
| 00364 | 7 | 450*85*16 | 1x | 1/1 |
| 00375 | 8 | 450*150*16 | 2x | 1/1 |
| 03179 | 9 | 710*150*16 | 2x | 1/1 |
| 00377 | 10 | 450*150*16 | 2x | 1/1 |
| 00378 | 11 | 433*200*16 | 3x | 1/1 |
| 00388 | 12 | 768*489*16 | 1x | 1/1 |
| 00389 | 13 | 800*100*16 | 1x | 1/1 |
| 04830 | 14 | 796*259*16 | 2x | 1/1 |
| 04829 | 15 | 796*172*16 | 1x | 1/1 |
| 00339 | 16 | 694*796*2,5 | 1x | 1/1 |
| 03182 | 17 | 446*720*2,5 | 3x | 1/1 |









SK ŠABLÓNA
 CZ ŠABLONA
 HU SABLON
 DE SCHABLONE

